

RA-64/128K RATE ADAPTER



FEATURES / BENEFITS

- ✓ Interface - Async is RS-232
Sync is RS-422, RS-530, X.21
or V.35
- ✓ Data Rates - Async is 1.2k
2.4k, 4.8k, 9.6k, 19.2k, 38.4k,
57.6kbps or 115.2kbps
Sync is 16k, 64k or 128kbps
- ✓ Allows low speed async
terminals to access high
speed 16k, 64k or 128k sync
circuits
- ✓ Compact and easy to install
- ✓ Line powered from data
interfaces
- ✓ Sturdy Metal Enclosure

DESCRIPTION

The RA-64/128K Rate Adapter allows low speed async RS-232 DTE equipment to transmit over a high speed 16k, 64k or 128k sync communications link. The RA-64/128k devices are used in pairs, one at each end of the communications link or in multiples as when used in a multi-point or broadcast communications link. The RA-64/128k will support bi-directional or simplex data transmissions.

The RA-64/128k supports async character length of 8, 9, 10 and 11 bits, including the start and stop bit. The asynchronous interface is RS-232 and supports data rates of 1.2k, 2.4k, 4.8k, 9.6k, 19.2k, 38.4k, 57.6k, 115.2k. The synchronous data interface rate must be set at 16k, 64k or 128k and will support data interfaces of X.21, RS-422, RS-530 or optional V.35.

The RA-64/128k will support V.35 by ordering the unit under part number 147000. The V.35 data interface will support both the old V.35 (+/-0.5 volts) or newer V.35 (ITU recommendation V.11) ground to +3.8 volts. A DB-25 male to V.35 male 6 foot adapter cable is required for V.35 termination. The cable should be ordered under part number 712005.

The RA-64/128k derives its power through the async and sync data interfaces. The device utilizes leading edge technology for reliable, low power operation. The user should insure that the RA-64/128k has a minimum of three synchronous control signals available for proper operation.

The RA-64/128k is housed in a sturdy metal enclosure, has a three year warranty and a 24 hour turnaround on warranty repairs.

SPECIFICATIONS

Application

Interconnection of a low speed asynchronous terminal or DTE device operating at 1.2k, 2.4k, 4.8k, 9.6k, 19.2k, 38.4k, 57.6k or 115.2k to a synchronous 16k, 64k or 128k modem or DCE device

Capacity

One terminal(DTE) and one modem(DCE)

Data Rates

Async: 1.2k, 2.4k, 4.8k, 9.6k, 19.2K, 38.4K and 57.6Kbps
Sync: 16k, 64k or 128k

Data Channel Interfaces

Async: RS-232
Sync: RS-422, X.21, RS-530 and V.35

Switches

Internal Switches for Baud Rate, Character Length and Crystal setting

Enclosure

Metal: Aluminum

Power Source

Line powered from data interfaces
Requires minimum of 3 control signals

Environmental

Operating Temperature....32° to 122° F (0° to 50° C)
Relative Humidity.....5 to 95%
Non-Condensing
Altitude.....0 to 10,000 feet

Dimensions

Height 0.50 inches (1.27 cm)
Width 1.75 inches (4.44 cm)
Length 3.90 inches (9.91 cm)

Weight

1/2 pound (0.225 Kg)

Warranty

Three Years, Return To Factory

ORDERING INFORMATION

Model: RA-64/128k_V11

Part Number: 146000

Description: RS-232 Async(19.2k, 38.4k, 57.6k & 115.2k) to V.11 sync 64k or 128k Rate Adapter

* V.11 supports RS-422, X.21 and RS-530

Options for RA-64/128k_V11:

Part Number:712014

Description:6 ft.,DB-25 to X.21 adapter cable

Part Number:712015

Description:6 ft.,DB-25 to RS-422 adapter cable

Model: RA-64/128k_V35

Part Number: 147000

Description: RS-232 Async(19.2k, 38.4k, 57.6k & 115.2k) to V.35 sync 64k or 128k Rate Adapter

Options for RA-64/128k_V35:

Part Number:712005

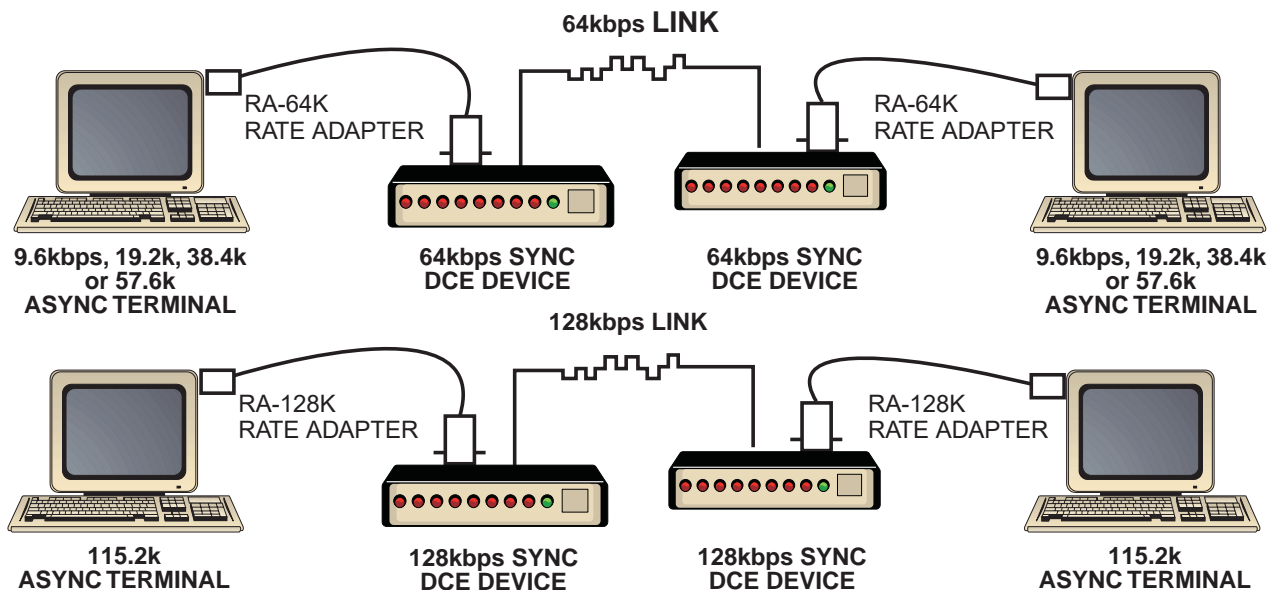
Description:6 ft.,DB-25 to V.35 adapter cable

INCLUDED WITH EACH UNIT:

1) Operations Manual

For further detailed technical information on this product, contact East Coast Datacom Technical Assistance toll free at (800) 240-7948

EAST COAST DATACOM DESIGNS AND MANUFACTURES DATA COMMUNICATION EQUIPMENT FOR YOUR NETWORK REQUIREMENTS.



SPECIFICATIONS ARE SUBJECT TO CHANGE WITHOUT NOTICE

EAST COAST DATACOM, INC.
245 Gus Hipp Boulevard, STE 3
Rockledge, FL 32955-4812, U.S.A.

TEL: (321) 637-9922

WEB SITE: www.ecdata.com

FAX: (321) 637-9980