

# A-B Switch

## 2-Ports with Dry Contacts



### FEATURES / BENEFITS

- ✓ Economical Secure A/B Switch, No Volatile Memory Parts Utilized
- ✓ Allows Remote A/B Switching
- ✓ Supports Common Input and Port A or Port B Switching
- ✓ Dry Contact Relay Switching
- ✓ Three DB-9 Connectors – Compact Design
- ✓ Supports 4-Wires and Ground for RS-530
- ✓ All wires & Power are Surge Protected
- ✓ Loss of Power Default Switch to Port A
- ✓ Status LED's Port A or Port B Active
- ✓ Reliable 5V DC Power Supply is UL, cUL and PSE Approved, RoHS
- ✓ Compact Sturdy Aluminum Enclosure

### DESCRIPTION

The A/B Switch allows secure and safe switching between RS-530 or any ITU V.11 data ports. The unit supports switching 4-wires of user data traffic from the common port to Ports A or Port B. All switching is accomplished with dry contact positive latching relays for years of dependable service. In the event of local power failure, the A/B Switch will default to Port A.

The switching between Port A to Port B are accomplished with a remote device that applies a positive or negative voltage to the A/B Switch via the RS-232 RJ45 port.

The front panel has three status LED's that present the user with Port A or Port B active status. A power LED is also present to indicate that the A/B Switch has power applied.

The A/B Switch is housed in a sturdy metal enclosure and operates on a simple reliable 5V DC power supply.

The A/B Switch has a three year warranty and a 24 hour turnaround on warranty repairs.

**EAST COAST DATACOM, INC.**

# SPECIFICATIONS

## Application

Allows a user to connect to a Single Common Input Port and Remotely Switch between two Output A and B Ports with local visual port indicators.

## Capacity

Three Ports  
Common Port  
Port A and Port B

## Data Interface

4-Wire & Ground Interface supports RS-530 or any ITU V.11 compliant balanced interface

## Data Format

Data Transparent at all Data Rates

## Data Rates

Up to 19.2Kbps

## Indicators

Power, Port A and Port B

## Surge Protection

Main power supply and all Data Ports

## Power Source - MTBF

External Wall Mount AC to DC Supply, Input Voltage 90-240VAC. Output Voltage is 5VDC with 300,000 Hour MTBF

## EMI Approvals

FCC 47CFR, Part 15, Subpart B for conducted emissions from a Class A  
FCC 47CFR, Part 15, Subpart B for radiated emissions from a Class A

## Safety Approvals

UL 60950, UL 62368

## Electric Discharge

IEC EN-61000-4-2

## Environmental

Operating Temperature: 32° to 104° F (0° to 40° C)  
Operational Altitude: 0 to 6,600 feet  
Operational Relative Humidity: 30° C at 93%  
Non-Operational Temperature: -30 degC to 56 degC  
Non-Operational Altitude: 0 to 50,000 feet above sea level

## Dimensions

Height ..... 1.75 inches (4.445 cm)  
Width ..... 5.75 inches (14.605 cm)  
Length ..... 5.54 inches (14.072 cm)

## Weight

1 Pound (0.045Kg)

## Warranty

Three Years, Return To Factory

## Ordering Information

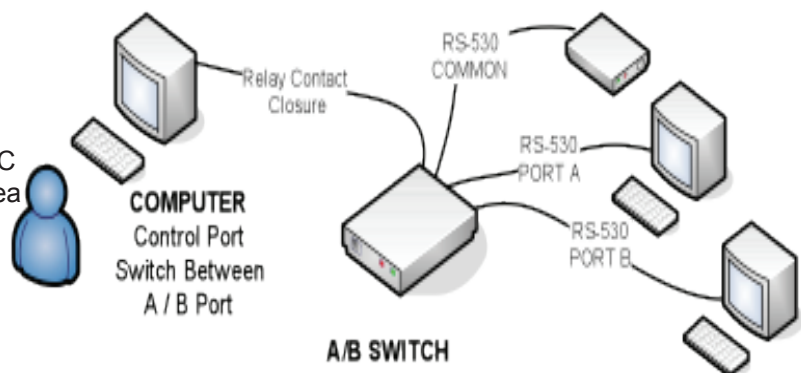
Main Unit Part Number: 262000  
Model: A/B Switch  
Description: 2-Port A/B Switch with Common

## Included with each unit:

- 1) Operations Manual
  - 2) PT# 711019: AC to DC Power Supply N America
- For further detailed technical information on this product, contact East Coast Datacom Technical Assistance toll free at (321) 637-9922

## OTHER EAST COAST DATACOM PRODUCTS

NETWORK LATENCY EMULATORS  
MODEM AND PORT SHARING DEVICES  
INTERFACE CONVERTERS  
MODEM ELIMINATORS



## EAST COAST DATACOM, INC.

245 Gus Hipp Boulevard, STE 3 • Rockledge, FL 32955-4812 U.S.A.

TEL: (321) 637-9922

WEB SITE: [www.ecdata.com](http://www.ecdata.com)

FAX: (321) 637-9980