

# RS-530 Line Monitor



## FEATURES / BENEFITS

- ✓ Interface - Supports Data Only for RS-530
- ✓ Data Rates -Up to 2.048Mbps
- ✓ In-Line Operation
- ✓ Visual indication of circuit operation
- ✓ Line Powered
- ✓ Compact and Easy to Install
- ✓ Excellent tool for field technician or service organizations

## DESCRIPTION

The RS-530 Line Monitor product provides a means for a technician to easily monitor the status of RS-530 TXD and RXD on a data only RS-530 circuit. Four light-emitting diode (LED) indicators provide a means for the technician to view the status of data of the attached DCE and DTE devices.

All power to the RS-530-Line Monitor is supplied via the DCE and DTE ports.

Connect the RS-530 Line Monitor in between the DCE and DTE device you wish to monitor.

### Indicators and RS-530 Pins

Pin 2 - TXD (A) – Green LED – FROM DTE

Pin 3 - RXD (A) – Green LED – From DCE

Pin 14 – TXD (B) – Red LED – FROM DTE

Pin 16 – RXD (B) – Red LED – FRM DCE

Pin 7 – Passed end to end with No LED

**NOTE:** When LED indicators are ON, data is making frequent transitions between voltage levels corresponding to a logical 1 and a logical 0, indicating that data in some form is being received through the DCE/DTE. If this indicator is OFF, then the data circuit is constantly at one voltage level or is turned OFF.

The RS-530 Line Monitor has a 3-year warranty and is housed in a sturdy metal enclosure.

# SPECIFICATIONS

## Application

In-Line RS-530 data activity monitor to obtain visual indication of the circuit operation

## Capacity

One Data Channel

## Interface

RS-530

## Data Rates

Up to 10Mbps

## Data Format

Data transparent at all data rates

## Switches

None

## Physical Interface

RS-530: Male DB-25 and Female DB-25  
Pinned to RS-530 Standard

## Power Source

Line Powered from existing equipment - Draws 5ma - No AC power required

## Indicators

TXD(A), TXD(B), RXD(A), RXD(B)

## Environmental

Operating Temperature....32° to 122° F (0° to 50° C)  
Relative Humidity.....5 to 95%  
Non-Condensing  
Altitude.....0 to 50,000 feet

## Dimensions

Height ..... 0.50 inches (1.27 cm)  
Width ..... 1.75 inches (4.44 cm)  
Length ..... 4.00 inches (10.16 cm)

## Weight

5 Ounces (0.142Kg)

## Warranty

Three Years, Return to Factory

## ORDERING INFORMATION

Part Number: 209000  
Model: RS-530\_LM  
Description: RS-530 Line Monitor

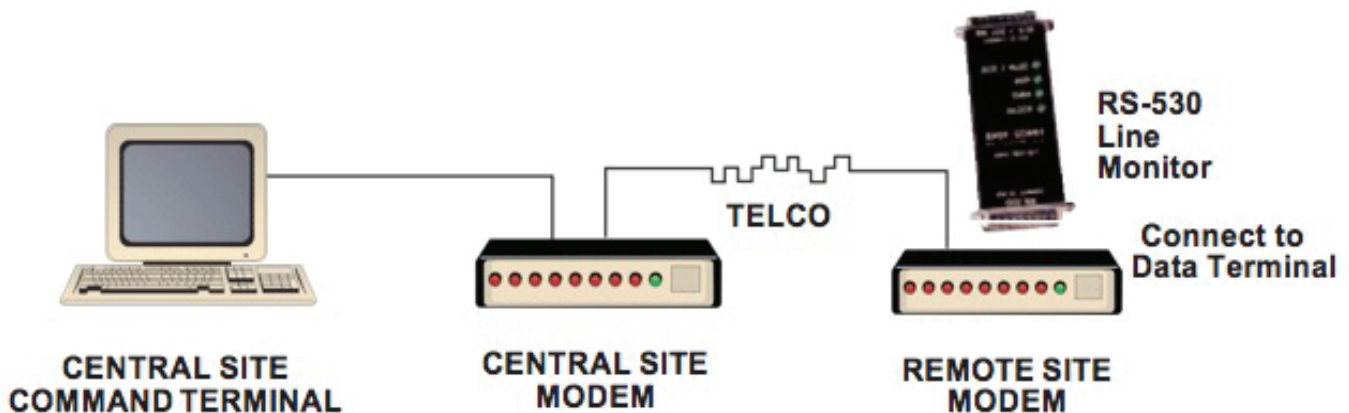
## INCLUDED WITH EACH UNIT:

1) Installation Guide

For further detailed technical information on this product, contact East Coast Datacom Technical Assistance toll free at (321) 637-9922.

## OTHER EAST COAST DATACOM PRODUCTS

MODEM SHARING DEVICES  
NETWORK EMULATORS  
SIGNAL REGENERATORS  
DATA BROADCAST UNITS  
ROUTER DELAY SIMULATOR



## EAST COAST DATACOM, INC.

245 Gus Hipp Boulevard, STE 3 • Rockledge, FL 32955-4812 U.S.A.

TEL: (321) 637-9922

WEB SITE: [www.ecdata.com](http://www.ecdata.com)

FAX: (321) 637-9980